

# Factory Direct Media Filters

## Economically Improve Water Treatment Results

The Electric H<sub>2</sub>O media filtration system is designed to economically improve the efficiencies of water cooled HVAC systems. This filter will remove suspended solids to 5 microns nominally from your system. Media filtration will extend the life and improve the operating efficiencies of your cooling towers, chiller condensers and heat exchangers. Our system complements your chemical treatment program by removing suspended contaminants. A proactive water treatment program that includes our filtration can provide a significant return on your investment.



### Water Filtration for...

Cooling Towers

Cold Well Sumps

Swimming Pools

Decorative Fountains

50 psi Fiberglass Vessel

Choice of Valves and Actuators

System Matched Pump

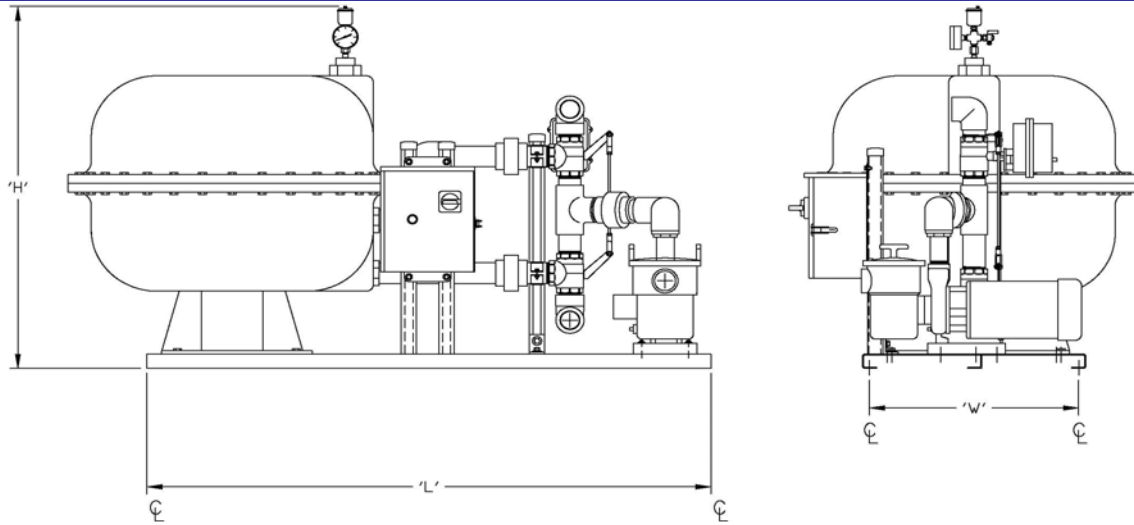
Corrosion Resistant Materials

Heavy Duty Base

NSF Approved Filter Media

ELECTRIC H<sub>2</sub>O, INC.

# Electric H<sub>2</sub>O Media Filter Specifications



Filter Model	Pipe Size in	Motor hp	Filter Area ft <sup>2</sup>	Flow Rate gpm	Shipping Wt. lbs	Media Wt. lbs	Dimensions (in)			
							H	W	L	
E-20	2	1	2.2	45	350	200	54	30	66	
E-24	2	2	3.1	65	470	250	54	30	69	
E-30	2	3	4.9	100	740	400	54	35	72	
E-36	3	3	7.1	145	1550	800	65	48	77	
E-42	3	5	9.6	195	2265	1350	65	48	77	
E-48	3	5	12.1	250	3875	2400	66	48	83	
E-54	4	7.5	15.9	320	6611	5200	81	60	81	
E-60	4	10	19.6	395	8245	6500	87	66	82	
E-66	4	10	23.8	475	10000	8000	93	72	85	
E-72	6	10	28.3	565	12521	10100	103	78	86	
E-78	6	15	33.2	665	14751	12200	109	84	87	
E-84	6	15	38.5	770	17074	14300	115	90	90	
E-90	6	15	44.2	885	19950	16800	121	96	91	
E-96	8	20	50.3	1010	26030	21700	130	102	99	
Components		Standard Design				Options				
Filter Vessel		Molded FRP 50 psi with auto air vent, access port and drain				Stainless Steel or Carbon Steel 100 psi (SS) or 150 psi (CS)				
Internal Distribution		PVC (upper / lower)								
Filter Media		0.85mm Sand (10 micron)				0.55mm Garnet (5 micron)				
Backwash Initiation		Automatic via 24-hour clock				Pressure differential or 7-day clock				
Backwash Source		Tower / System Water				City / External Water				
Backwash Duration		3 minutes @ 20 gpm / ft2 (Includes adjustable timer)								
Face Piping		Schedule 80 PVC								
Pump / Motor		Noryl centrifugal pump with pre-strainer, ODP Motor				Bronze centrifugal pump, TEFC Motor				
Control Valves		Double acting diaphragm valves with pilot valve assembly				Brass ball valves				
Valve Actuation		Pneumatic or Hydraulic				Electric				
Electrical Controls		NEMA-3R				NEMA-4X				
Supply Power		All standard voltages @ 60hz (1-phase or 3-phase)								
Base / Skid		Fully skid mounted on a heavy duty stainless steel base								
Sweeper Jets		Available for each filter size								
Warranty		2 years against defects in materials and workmanship (FOB: Factory)								

Electric H<sub>2</sub>O, Inc. 433 Park Point Drive, Suite 250, Golden, CO 80401

Ph: +1 (888) 474-2933 Fax: +1 (303) 215-0595

[info@electric2o.com](mailto:info@electric2o.com)